

NOTES:

1. Output voltage in table 1 with 120VAC applied and fully loaded.
2. Maximum no load input current : 0.6A
3. Enclosure Temperature does not exceed 65°C in a 40°C ambient, fully loaded.
4. The actual transformer 150VA is encapsulated in the enclosure.
5. The transformer is dimmable with all dimmers that provide symmetrical form of the current under any condition.
6. Input leads are 18 AWG output leads are 12 AWG. Lead insulation is 105°C.
7. The transformer uses a class B (130°C) insulation system.
8. The transformer has a manual reset thermal 10A circuit breaker on the secondary side.
9. Wiring compartment has 2 knockouts sized for 3/4 inch screw cable connectors.
10. The wiring compartment cover hinged with rivets and opens vertically from bottom to top.
11. The enclosure, available in black powder coated or stainless steel is NEMA 3R rated.
12. The Transformer is UL listed. UL file number: E194005. MODEL: C-150
13. The label contains Technomagnet's catalog number and electrical rating.

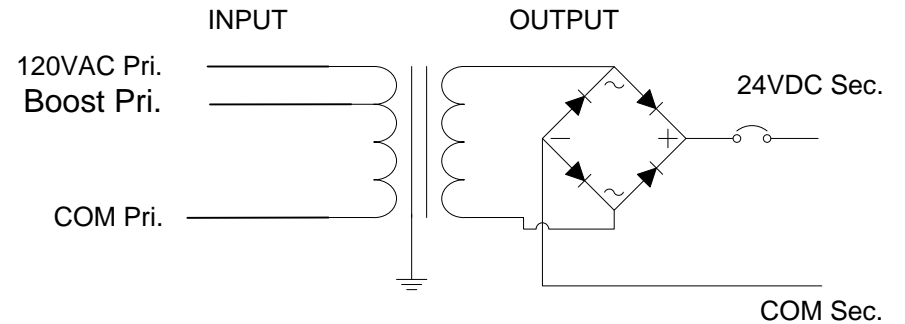
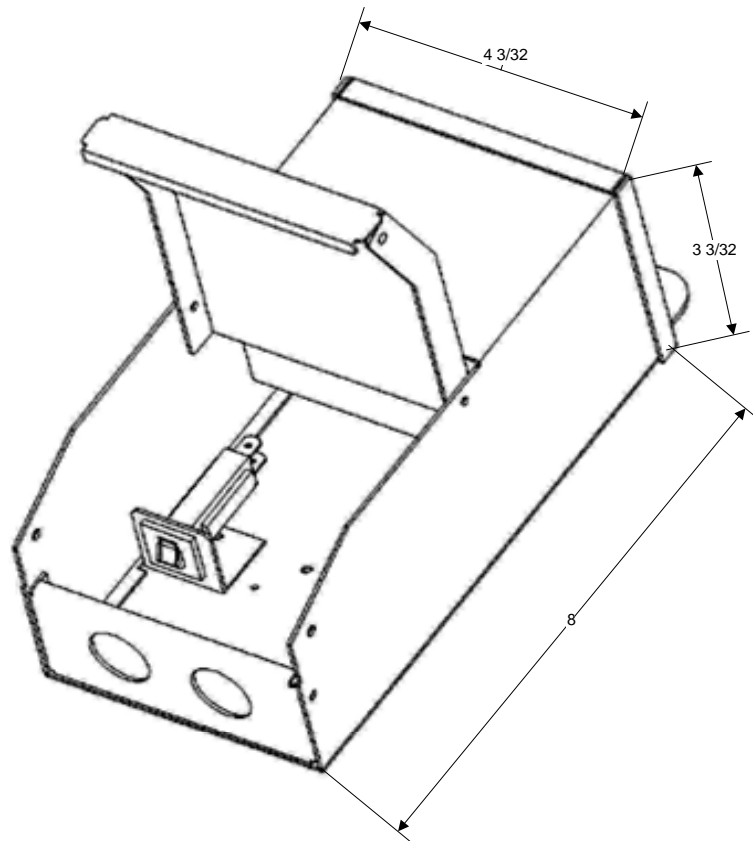


Table 1.

| Output Volts | |
|--------------|-------|
| 120AC | Boost |
| 24DC | 26DC |

| | | | | |
|----------------------------------------------------------|--|--|-------------------------------------------------------------------------------------------------------|----------------|
| TechnoMagnet LTD. Interactive Lighting Servers | | | 15547 Cabrito Road Unit A Van Nuys, CA 91406 | |
| | | | PAGE ____ | SCALE no scale |
| DRW. | | | OF ____ | TOLERANCE ± |
| CHK. | | | DESCRIPTION: Compact outdoor 24DCV 150VA Low voltage Transformer. | |
| APV. | | | | |
| PART No. ODC-150S24DCREV A | | | | |