

NOTES:

1. Output voltage in table 1 with 120VAC applied and fully loaded.
2. Maximum no load input current : 1.4A
3. Enclosure Temperature does not exceed 70°C in a 40°C ambient, fully loaded.
4. The actual transformer 1000VA is encapsulated in the enclosure.
5. This transformer is dimmable, use dimmers that provide symmetrical form of the current under any condition. Dimmer should be rated for low voltage magnetic transformer only rated for the wattage and amperage of this unit. Dimmer rated for electronic transformer will cause transformer failure and not allowed.
6. Input leads are 18 AWG output leads are 12 AWG. Lead insulation is 105°C.
7. The transformer uses a class B (130°C) insulation system.
8. The transformer has a manual reset thermal 12A circuit breaker on the primary side.
9. Wiring compartment has 4 knockouts sized for 3/4 inch screw cable connectors.
10. The wiring compartment cover hinged with rivets and opens vertically from bottom to top.
11. The enclosure is black powder coated and NEMA 3R rated. The unit weight is 30Lbs.
12. The Transformer is UL listed. UL file number: E194005.
13. The label contains Technomagnet's catalog number and electrical rating.
14. The boost tap increase out put voltage by 10%. Use the boost tap if voltage on your lights less then 10.5V

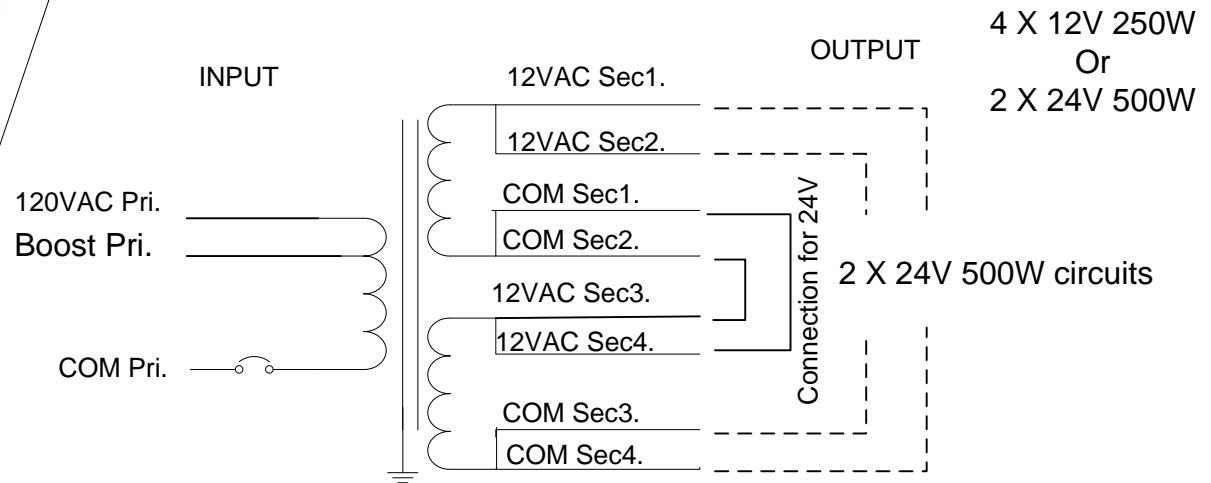


Table 1.

Output Volts	
120VAC	Boost
4 X 12	4 X 13

TechnoMagnet LTD.
Interactive Lighting Servers

	NAME	DATE	SING.	PAGE ____	SCALE no scale
	DRW.			OF ____	TOLERANCE ±
CHK.				DESCRIPTION: Compact outdoor 12V 1000VA Low voltage Transformer.	
APV.					
PART No. ODX1000P REV. A					