

# B4PLIC

## 4" MINIATURE COMPACT FLUORESCENT IC HOUSING

BAFFLE TRIM

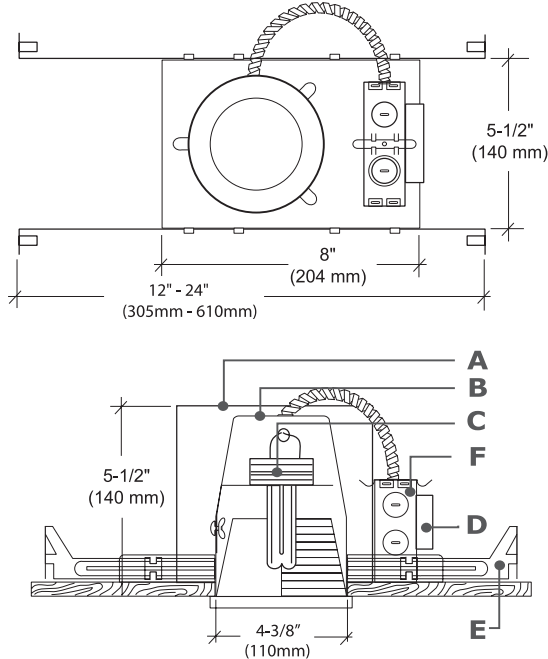
4"

FLUORESCENT



### DESCRIPTION

Small aperture thermally protected, specification grade compact fluorescent IC housing. Accommodates (1) 13W PL Double Twin Tube Compact fluorescent lamp. Furnished with preinstalled adjustable bar hangers. Junction box is provided with four 1/2" KOs, one 3/4" KO and four Romex knockouts with strain relief.



### SPECIFICATION

**A. OUTER HOUSING** - Die formed aluminum construction for maximum heat dissipating air chamber on top of the housing. Junction box can be accessed from inside and outside housing.

**B. SOCKET** - One vertically mounted plug-in socket. Unitized optics guarantees proper trim to housing installation. Tool-less installation adjustability from inside the housing.

**C. BALLAST** - Thermally protected, current controlled ballast, will produce full light output, increase lamp life with no noise and flicker. **Ballast supplied is manufactured by Advance.**

**D. BAR HANGERS** - Preinstalled bar hangers allow housing to be positioned and locked at any point within a 24" joist span and can be shortened for 12" joists. They contain a double-headed real nail for secure

attachment into the joist. Bar hanger nails are installed on a 20° downward angle for better contact, and the 90° pivoting mounting plate makes installation fast and accurate. Bar hangers can fit onto T-Bar spline with additional slots and holes for special mounting methods if necessary.

**E. JUNCTION BOX** - ETL listed for through-branch circuit wiring and has four 1/2" KOs, one 3/4" KO and four Romex knockouts with true pry-out slots and strain clamps.

**ETL and C-ETL listed** for Damp location.

**ETL listed** for Feed Through wiring.

**ETL listed** for direct contact with insulation



Gasket to prevent air flow from heated or air conditioned spaces.

### B4PLIC- ORDERING INFORMATION, PLEASE SPECIFY:

WATTAGE	BALLAST	VOLTAGE	EMERGENCY OPTIONS	TRIM TYPE	BAFFLE	TRIM RING
13W	M- Magnetic	120V	<input type="checkbox"/> EMG 750 <sup>1</sup> (750 lumens)	<input type="checkbox"/> B401 Stepped Baffle	<input type="checkbox"/> W	<input type="checkbox"/> WH
			<input type="checkbox"/> EMG 1300 <sup>1</sup> (1300 lumens)	<input type="checkbox"/> B406 Wall Wash w/ Baffle	<input type="checkbox"/> P	<input type="checkbox"/> BK
			<b>AIR-SHUT</b> <input type="checkbox"/> EMG-D-750 <sup>2</sup> (750 lumens)		<input type="checkbox"/> SN	<input type="checkbox"/> SN
			<b>AT</b> <input type="checkbox"/> ICE-1300 <sup>3</sup> (1300 lumens)		<input type="checkbox"/> CP	<input type="checkbox"/> CP
			<b>OTHER OPTIONS</b>		<input type="checkbox"/> BZ	<input type="checkbox"/> CH
			<input type="checkbox"/> FUSE <sup>4</sup>			<input type="checkbox"/> PB
			<input type="checkbox"/> RIF <sup>5</sup>			

(1-EMG=Emergency battery pack w/ remote test switch) (2-EMG-D=Emergency battery pack w/ remote test switch for damp location) (3-ICE=Emergency battery pack w/ remote test switch operating between -18°C and 55°C) (4-FUSE=Single slow-blow fuse) (5-RIF=Radio interference filter)

Specified:

**B4PLIC** - 13W - M - AT - 120 - - - -

TYPE                  WATTAGE    BALLAST    AIRSHUT    VOLTAGE    EMG                  TRIM TYPE    BAFFLE    RING

(Sample of Catalog Number: B4PLIC-13W-M-120-AT-EMG 750 -B401-W-WH)

SPECIFIED BY:

TYPE:

JOB NAME:

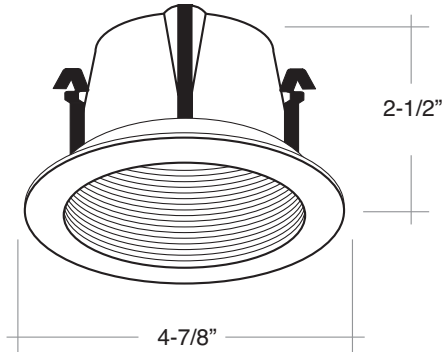


Tel: 323-888-1973 • 877-375-5555 / Fax: 323-888-1977 • 877-375-3333  
www.iuseelite.com • E-mail: sales@iuseelite.com



**B401**

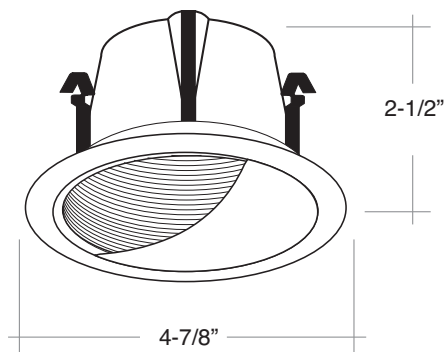
STEPPED BAFFLE



<b>MAX. LAMP WATTAGE:</b>	13W TT
<b>BAFFLE FINISH:</b>	W, P, SN, CP, BZ
<b>RING FINISH:</b>	WH, BK, SN, CP, CH, PB, BZ

**B406**

WALL WASH W/ BAFFLE



<b>MAX. LAMP WATTAGE:</b>	13W TT
<b>BAFFLE FINISH:</b>	W, P, SN, CP
<b>RING FINISH:</b>	WH, BK

**DESCRIPTIONS:**

- Built w/ deep baffle technology for glare free illumination.
- Relamps from the front.
- Unitized optics guarantee proper alignment of lamp.
- Both trim and trim ring are U.V. coated to prevent rust and discoloration caused by heat and sun light.
- Internal gasket prevents 100% of all light leakage.