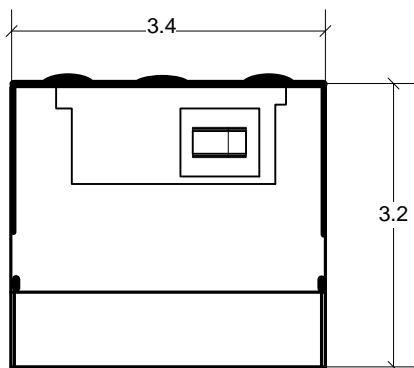
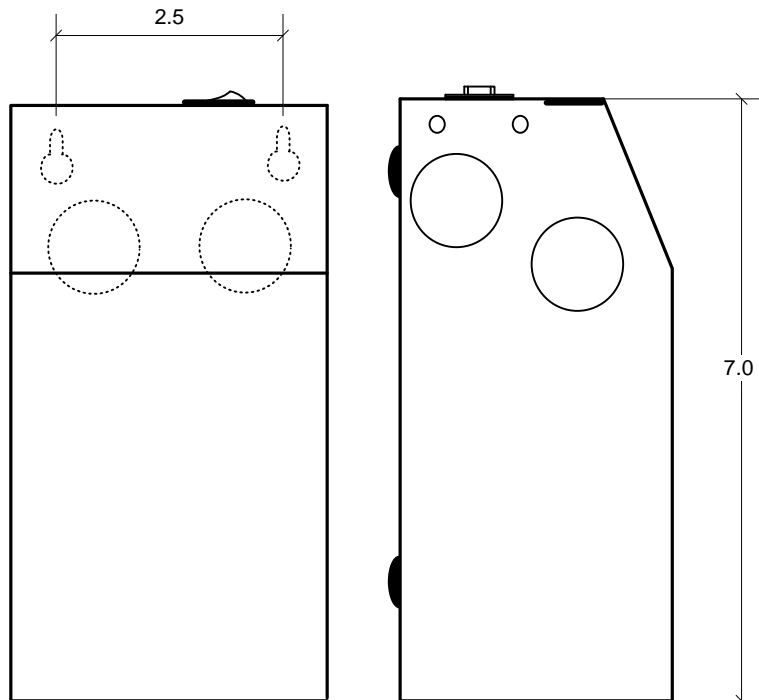


NOTES:

Two keyholes and two additional knockouts on the back



1. Output voltage in table 1 with 120VAC applied and fully loaded.
2. Maximum no load input current : 0.6A
3. Enclosure Temperature does not exceed 70°C in a 40°C ambient, fully loaded.
4. The actual transformer 250VA is encapsulated in the enclosure.
5. This transformer is dimmable, use dimmers that provide symmetrical form of the current under any condition. Dimmer should be rated for low voltage magnetic transformer only rated for the wattage and amperage of this unit. Dimmer rated for electronic transformer will cause transformer failure and not allowed.
6. Input leads are 18 AWG output leads are 12 AWG. Lead insulation is 105°C.
7. The transformer uses a class B (130°C) insulation system.
8. The transformer has a manual reset thermal 5A circuit breaker on the primary side.
9. Wiring compartment has 4 side and 2 back knockouts sized for 3/4 inch screw cable connectors.
10. The removable cover for the wiring compartment is secured in place by clips.
11. The enclosure is black powder coated. The unit weight is 8 Lbs.
12. The Transformer is UL listed. UL file number: E194005.
13. The label contains Technomagnet's catalog number and electrical rating.
14. The boost tap increase out put voltage by 10%. Use the boost tap if voltage on your lights less then 10.5V

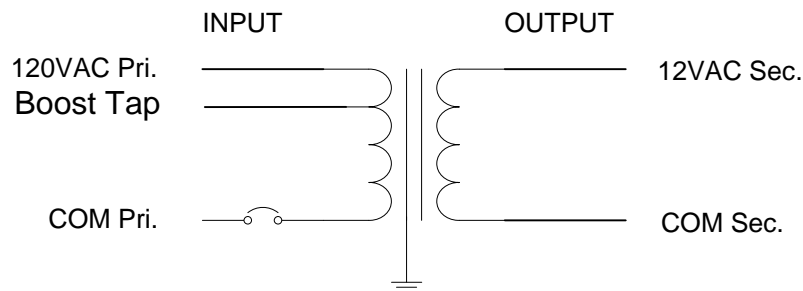


Table 1.

Output Volts	
120AC	Boost
12	13

TechnoMagnet LTD. Interactive Lighting Servers					
	NAME	DATE	SING.	PAGE ____	SCALE no scale
	DRW.			OF ____	TOLERANCE ±
CHK.				DESCRIPTION: Compact indoor 12V 250VA Low voltage Transformer.	
APV.					
PART No. TMC250P REV. A					