

NOTES:

1. Output voltage in table 1 with 120VAC applied and fully loaded.
2. Maximum no load input current : 0.6A
3. Enclosure Temperature does not exceed 70°C in a 40°C ambient, fully loaded.
4. The actual transformer 300VA is encapsulated in the enclosure.
5. The transformer is dimmable with all dimmers that provide symmetrical form of the current under any condition.
6. Input leads are 18 AWG output leads are 12 AWG. Lead insulation is 105°C.
7. The transformer uses a class B (130°C) insulation system.
8. The transformer has a manual reset thermal 3A circuit breaker on the primary side, 6 5A thermal circuit breakers on the secondary side, and 6 terminal blocks of two positions each.
9. The enclosure is black powder coated.
10. The Transformer is UL listed. UL file number: E194005.
11. The label contains Technomagnet's catalog number and electrical rating.
12. The boost tap option is indicated by the marked check box on the label.

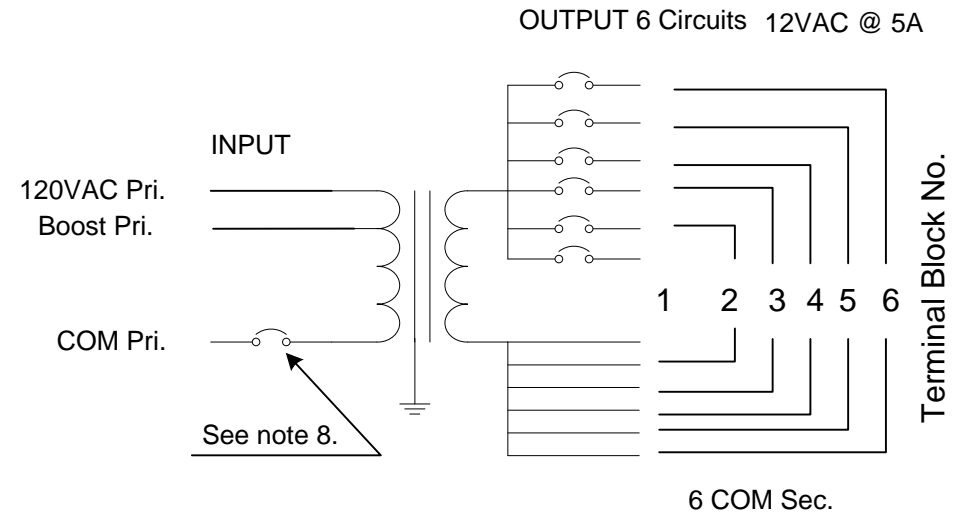


Table 1.

Output Volts	
120AC	Boost
11.8	12.8

TechnoMagnet LTD. Interactive Lighting Servers					
<input checked="" type="checkbox"/>	NAME	DATE	SING.	PAGE ____	SCALE no scale
	DRW.			OF ____	TOLERANCE ±
CHK.				DESCRIPTION: Compact indoor 12V 300VA Class 2 Low voltage Transformer.	
APV.					
PART No. EZ6-300 C2 REV. A					