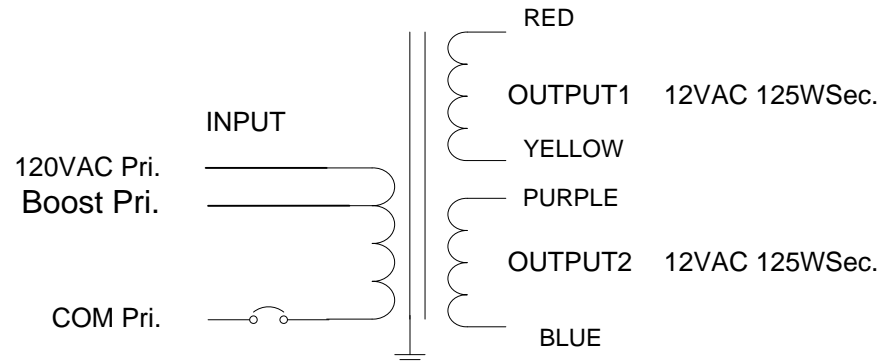
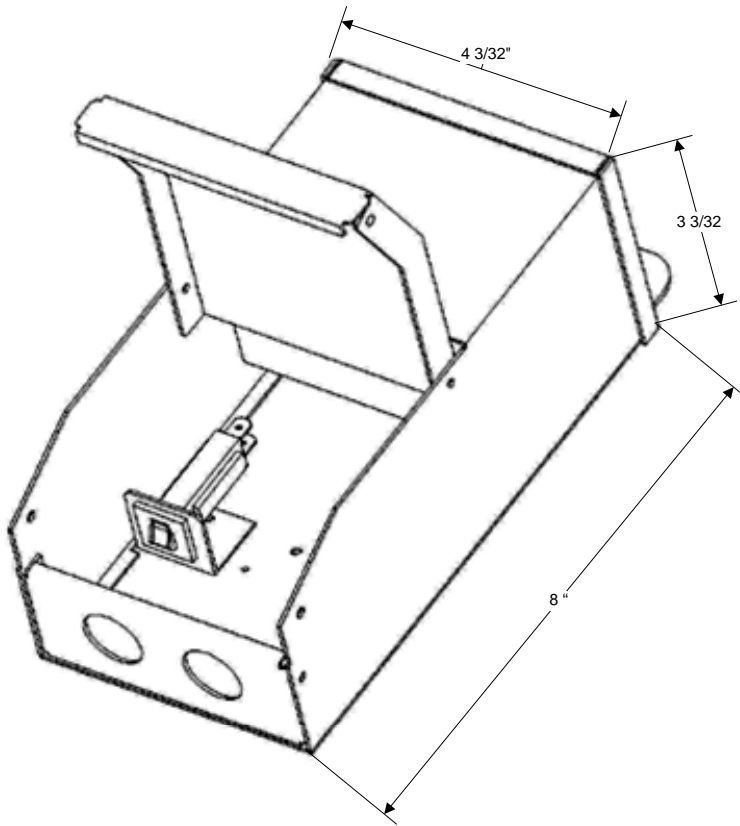


**NOTES:**

1. Output voltage in table 1 with 120VAC applied and fully loaded.
2. Maximum no load input current : 0.6A
3. Enclosure Temperature does not exceed 65°C in a 40°C ambient, fully loaded.
4. The actual transformer 250VA is encapsulated in the enclosure.
5. The transformer is dimmable with all dimmers that provide symmetrical form of the current under any condition.
6. Input leads are 18 AWG output leads are 12 AWG. Lead insulation is 105°C.
7. The transformer uses a class B (130°C) insulation system.
8. The transformer has a manual reset thermal 3A circuit breaker on the primary side.
9. Wiring compartment has 2 knockouts sized for 3/4 inch screw cable connectors.
10. The wiring compartment cover hinged with rivets and opens vertically from bottom to top.
11. The enclosure is black powder coated NEMA 3R rated for outdoor and indoor application.
12. The Transformer is UL listed. UL file number: E194005.
13. The label contains Technomagnet's catalog number and electrical rating.



1. To wire the transformer for one 12V 250W circuit connect together RED and PURPLE lead wires and YELLOW and BLUE lead wires. Connect two wires are coming from your lights to these two connection.
2. To wire transformer for one 24V 250W circuit connect together YELLOW and PURPLE lead wires together and insulate this connection. Connect two wires are coming from your lights to RED and BLUE lead wires.

**Table 1.**

Output Volts	
120AC	Boost
11.8	12.8
23.6	25.6

<b>TechnoMagnet LTD.</b> Interactive Lighting Servers					
	NAME	DATE	SING.	PAGE ____	SCALE no scale
	DRW.	OF ____	TOLERANCE ±		
CHK.				DESCRIPTION: <b>GPX - 250</b> 250VA Low voltage General Purpose Transformer.	
APV.					
PART No. <b>GPX - 250</b> REV. <b>A</b>					