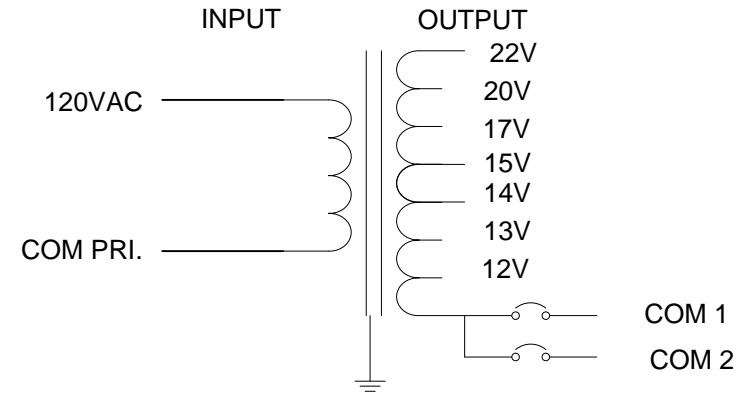
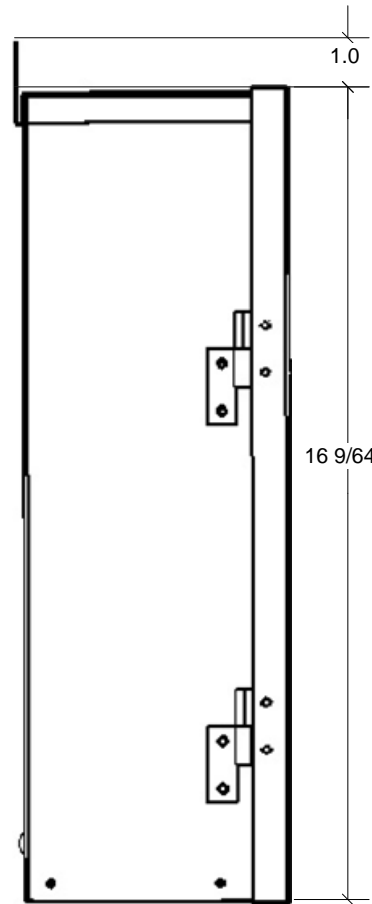
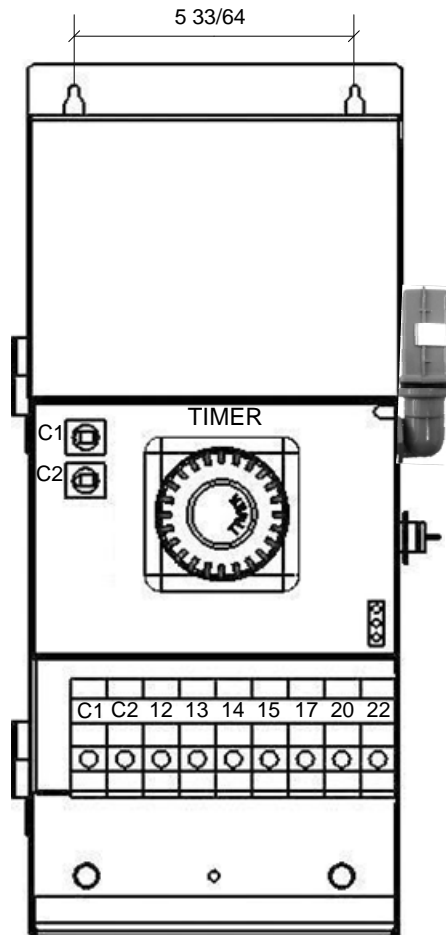
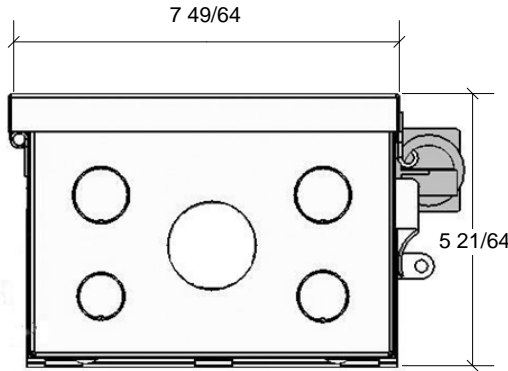


Table 1.

Terminal block label	Output Volts
12	12V
13	13V
14	14V
15	15V
17	17V
20	20V
22	22V

NOTES:

1. Output voltage in table 1 with 120VAC applied and fully loaded.
2. Maximum no load input current : 1.8A
3. Case Temperature not exceed 70°C in a 40°C ambient, fully loaded.
4. The actual transformer 1100VA is encapsulated in the case.
5. The transformer is dimmable with all dimmers designed for magnetic transformers.
6. Input is 18 AWG line cord, output is terminal block 12~2 AWG (4~35 sq. mm.)
7. The output terminal block rated for 125A and 800V.
8. The photocell connector rated for 13A 250V.
9. The transformer use class B (130°C) insulation material.
10. The transformer has two manual reset magnetic 25A circuit breakers on the secondary side.
11. Wiring compartment has one knockouts 0.95", two knockouts 1.13", one knockout 0.87" for power cord and one knockout 1.75" .
12. The case is black powder coated or stainless steel outdoor 3R rated, could be used in indoor application, as well.
13. The Transformer is UL1012 listed.
14. The label containing Technomagnet catalog number and electrical rating.
15. The transformer ready to use with timer and photocell.



TechnoMagnet LTD.
Interactive Lighting Servers

NAME	DATE	SING.	PAGE ____	SCALE no scale
DRW.			OF ____	TOLERANCE ±
CHK.			DESCRIPTION:	
APV.			Multi-tap 600VA 22V system Outdoor Transformer.	
PART No. MT- 600-22 REV. A				